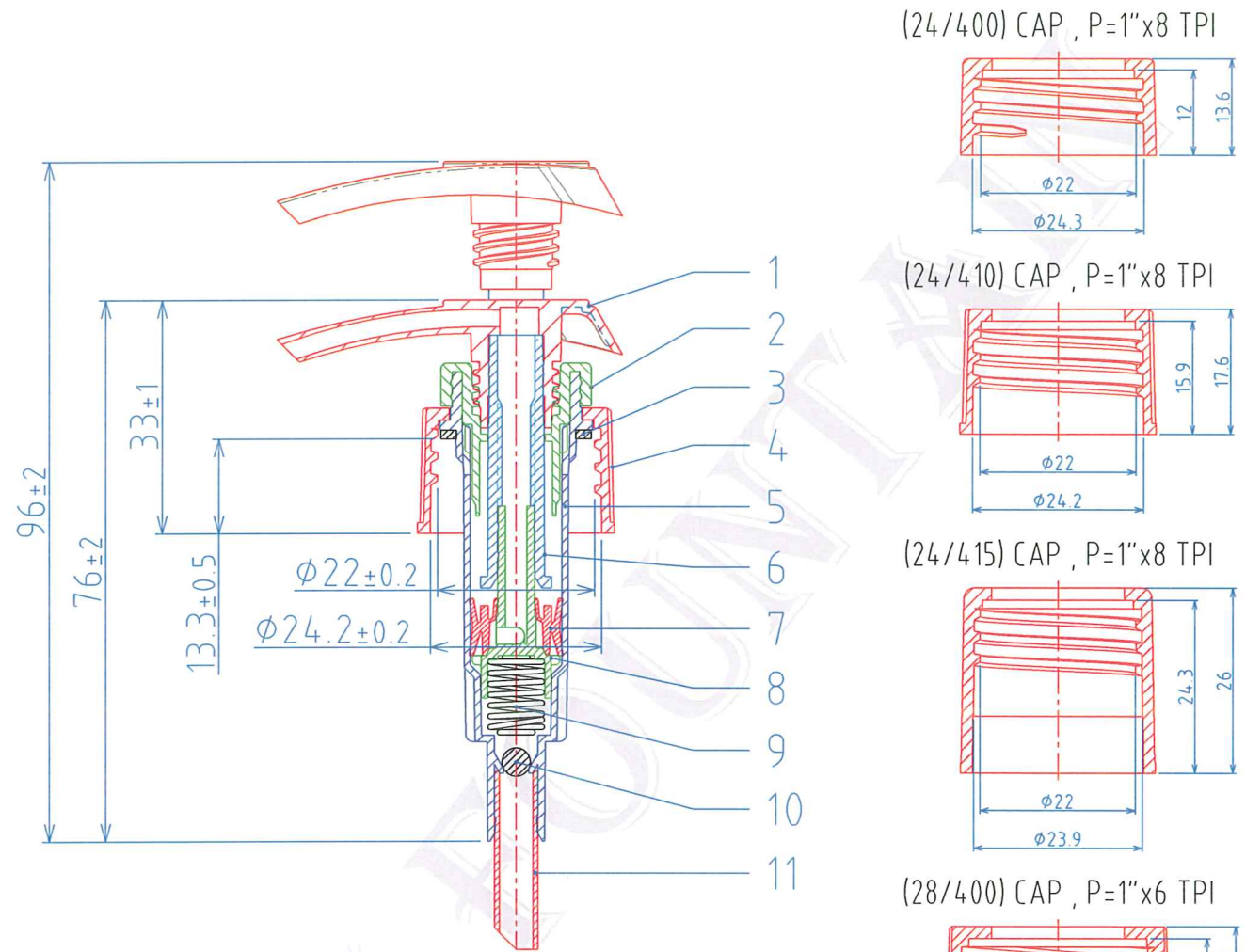
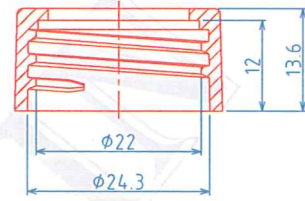


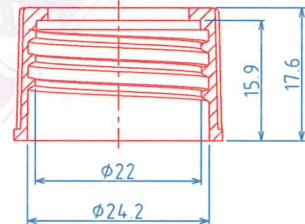
1cc Lotion Pump (DP-130)



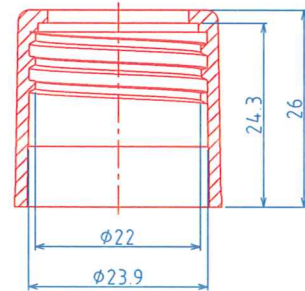
(24/400) CAP, P=1"x8 TPI



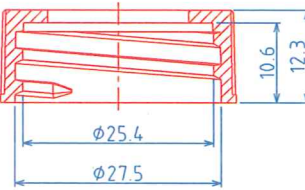
(24/410) CAP, P=1"x8 TPI



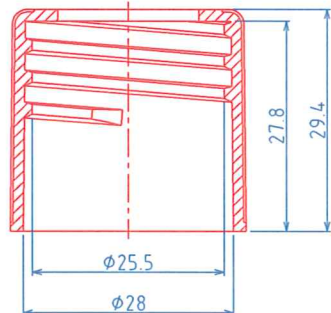
(24/415) CAP, P=1"x8 TPI



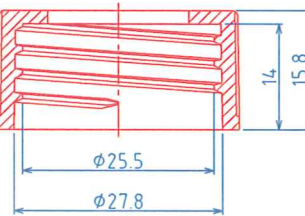
(28/400) CAP, P=1"x6 TPI



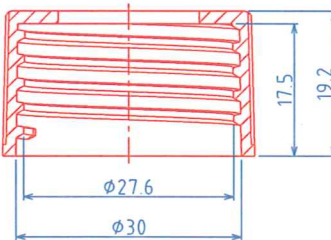
(28/415) CAP, P=1"x6 TPI



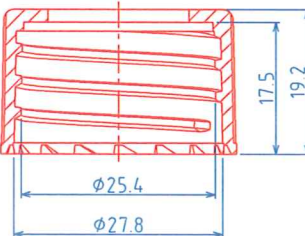
(28/400) CAP, P=1"x8 TPI



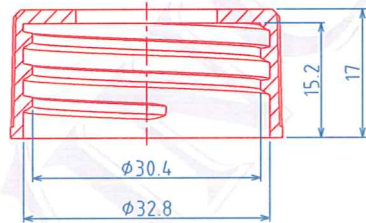
(30/400) CAP, P=1"x8 TPI



(28/410) CAP, P=1"x6 TPI



(33/410) CAP, P=1"x6 TPI



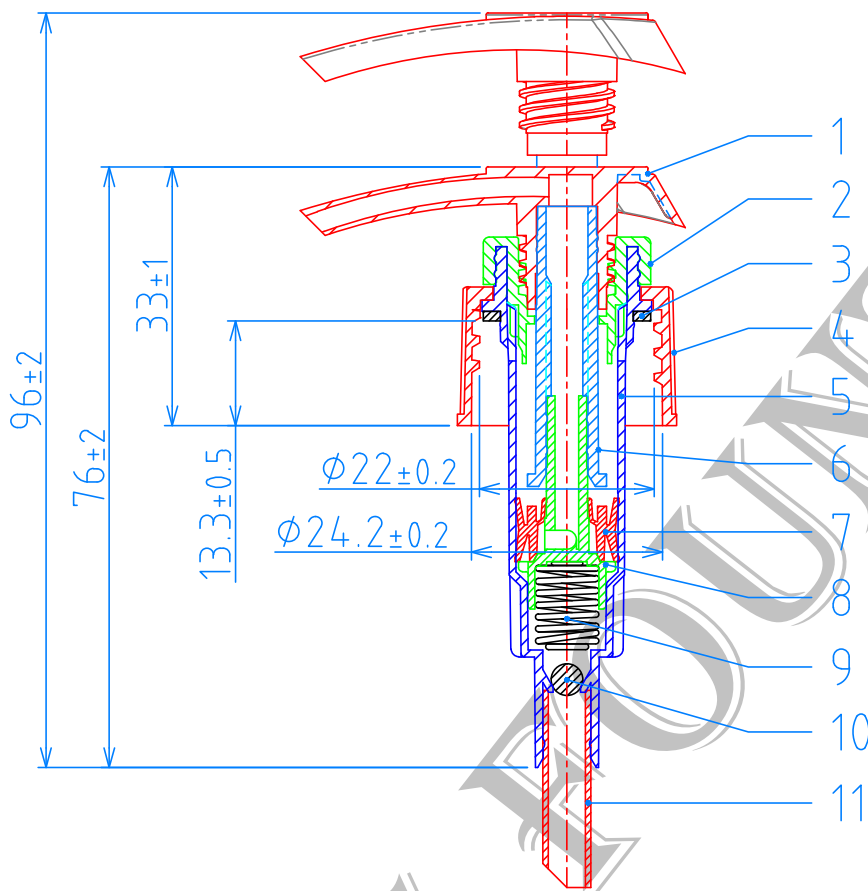
Item	Description	Material
1	按頭 ACTUATOR	PP
2	結合蓋 CHAPLET	PP
3	墊片 GASKET	LDPE
4	(24/410)牙蓋 CAP	PP
5	缸體 HOUSING	PP
6	活塞桿 PLUNGER	PP
7	活塞環 PISTON RING	LDPE
8	活塞座 PISTON BASE	HDPE
9	彈簧 SPRING	SUS-304
10	塑膠珠 PLASTIC BALL	ABS
11	吸管 TUBE	PE/PP

Date	2018/01/15
Drawing No.	dp130-a1-24001

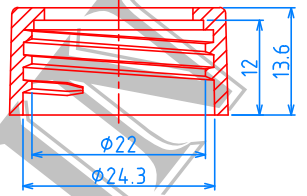
* 此圖面在未經許可下請勿實行"拷貝"及"製作".



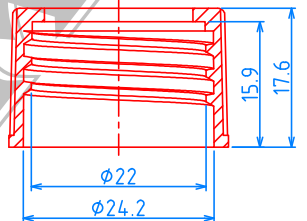
2cc Lotion Pump (DP-230)



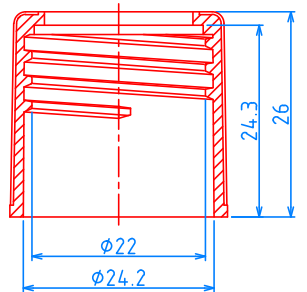
(24/400) CAP, P=1"x8 TPI



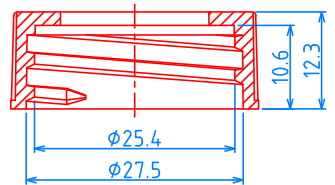
(24/410) CAP, P=1"x8 TPI



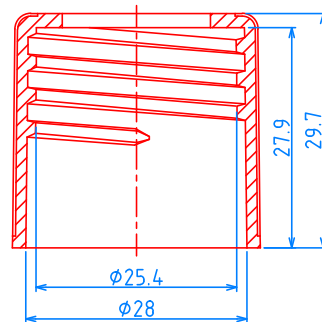
(24/415) CAP, P=1"x8 TPI



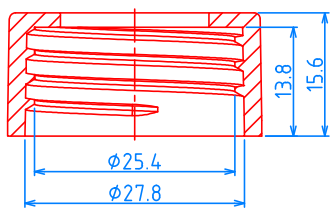
(28/400) CAP, P=1"x6 TPI



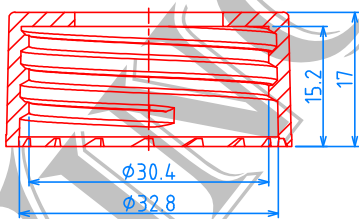
(28/415) CAP, P=1"x6 TPI



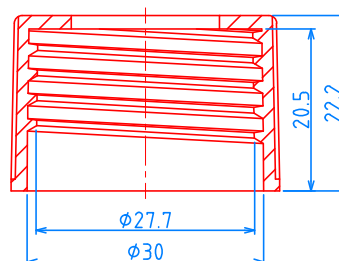
(28/400) CAP, P=1"x8 TPI



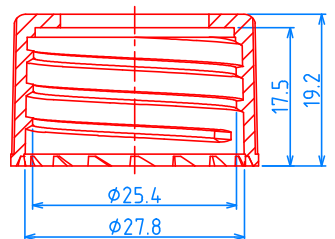
(33/410) CAP, P=1"x6 TPI



(30/400) CAP, P=1"x8 TPI



(28/410) CAP, P=1"x6 TPI



Item	Description	Material
1	按頭 ACTUATOR	PP
2	結合蓋 CHAPLET	PP
3	墊片 GASKET	LDPE
4	(24/410)牙蓋 CAP	PP
5	缸體 HOUSING	PP
6	活塞桿 PLUNGER	PP
7	活塞環 PISTON RING	LDPE
8	活塞座 PISTON BASE	HDPE
9	彈簧 SPRING	SUS-304
10	塑膠珠 PLASTIC BALL	ABS
11	吸管 TUBE	LDPE

Date	2018/01/15
Drawing No.	dp230-a1-24005