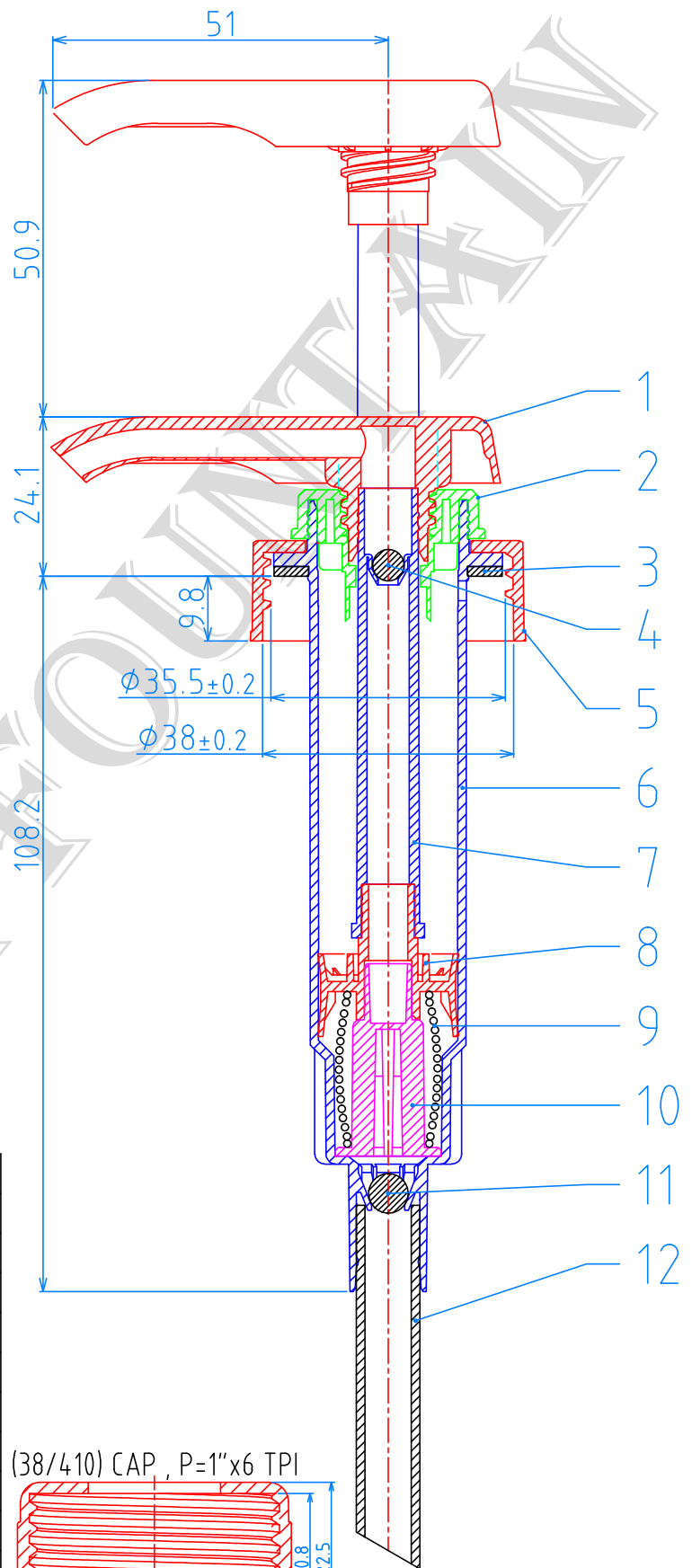
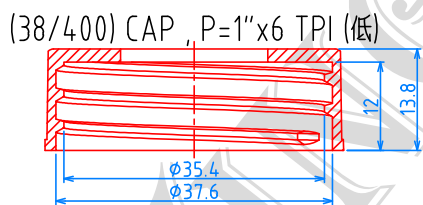
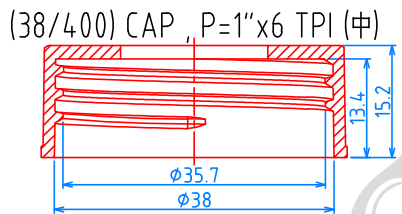
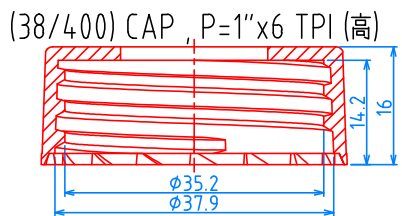
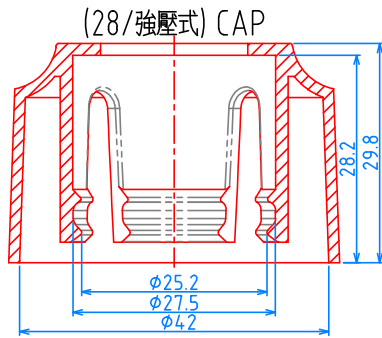




15cc Dispenser Pump(DP-1502)



Item	Description	Material
1	按頭 ACTUATOR	PP
2	結合蓋 CHAPLET	PP
3	墊片 GASKET	LDPE
4	鋼珠 S.S. BALL	SUS-304
5	(38/400)牙蓋 CAP	PP
6	缸體 HOUSING	PP
7	活塞桿 PLUNGER	PP
8	活塞環 PISTON RING	LDPE
9	彈簧 SPRING	SUS-304
10	彈簧座 SPRING BASE	PP
11	塑膠珠 PLASTIC BALL	ABS
12	吸管 TUBE	LDPE

Date	2018/04/12
Drawing No.	dp1502-a1-38003