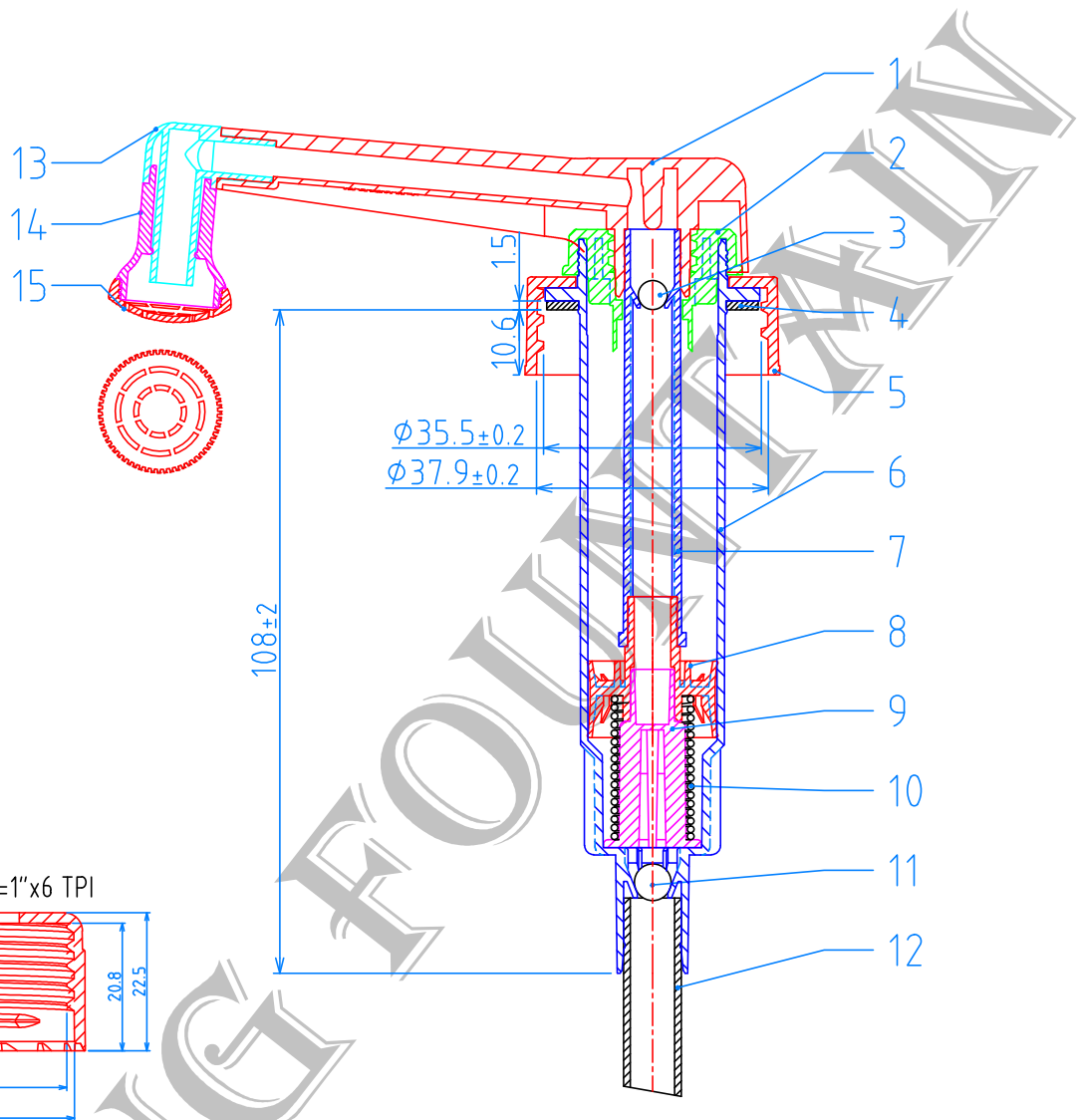
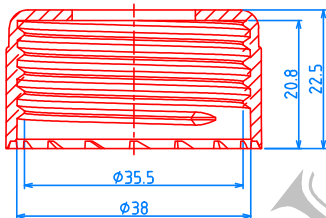




15cc Dispenser Pump (LDP-1523-D)

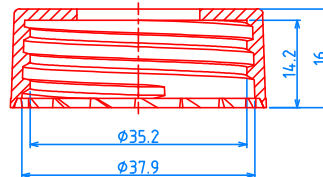


(38/410) CAP, P=1"x6 TPI

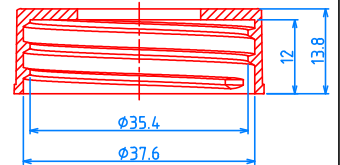


Item	Description	Material
1	按頭 ACTUATOR	PP
2	結合蓋 CHAPLET	PP
3	鋼珠 S.S. BALL	SUS-304
4	墊片 GASKET	LDPE
5	(38/410)牙蓋 CAP	PP
6	缸體 HOUSING	PP
7	活塞桿 PLUNGER	PP
8	活塞環 PISTON RING	LDPE
9	活塞座 PISTON BASE	HDPE
10	彈簧 SPRING	SUS-304
11	塑膠珠 PLASTIC BALL	ABS
12	吸管 TUBE	LDPE
13	90°彎管 ANGLE SPOUT	PP
14	緩流器 Diffuser	PP
15	網狀蓋 NET COVER	PP

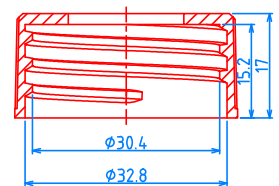
(38/400) CAP, P=1"x6 TPI (高)



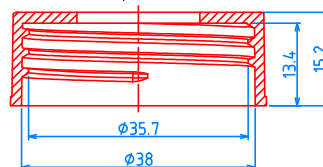
(38/400) CAP, P=1"x6 TPI (低)



(33/410) CAP, P=1"x6 TPI



(38/400) CAP, P=1"x6 TPI (中)



Date	2019/11/29
Drawing No.	ldp1523d-a1-38001

* 此圖面在未經許可下請勿實行"拷貝"及"製作".